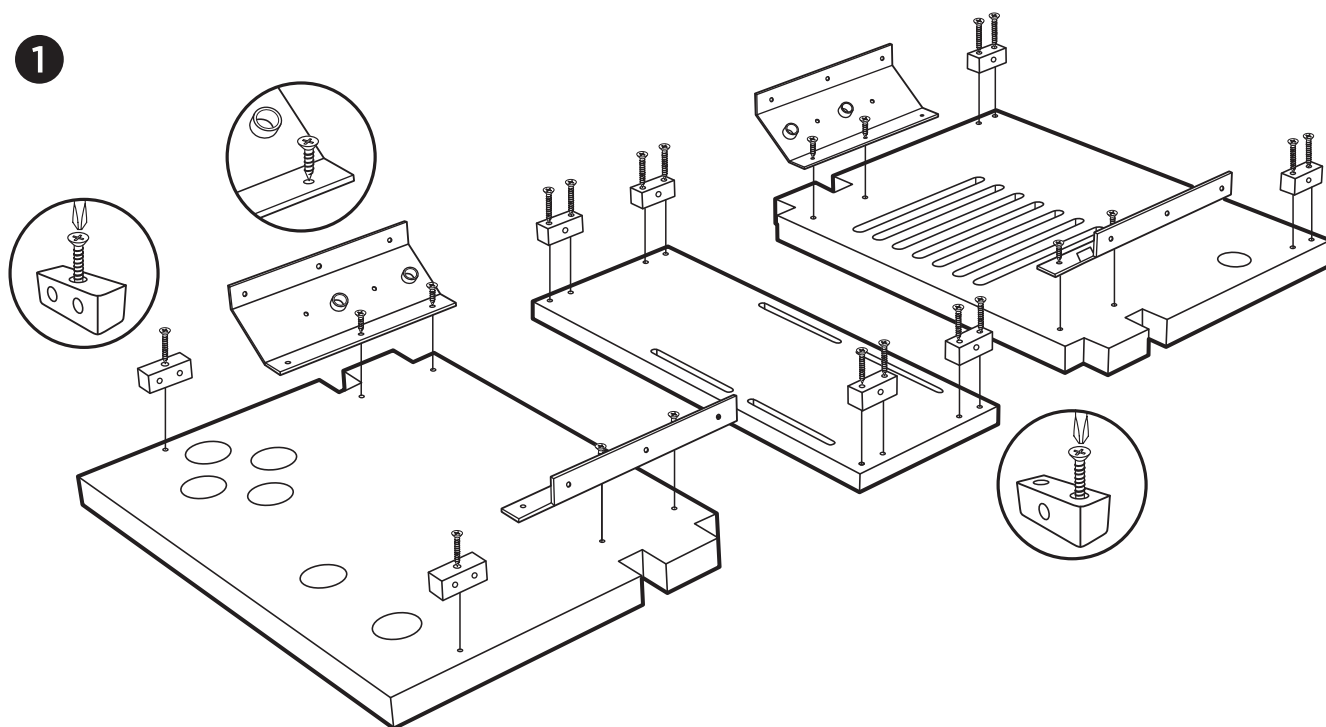


CONSTRUCTION MANUAL

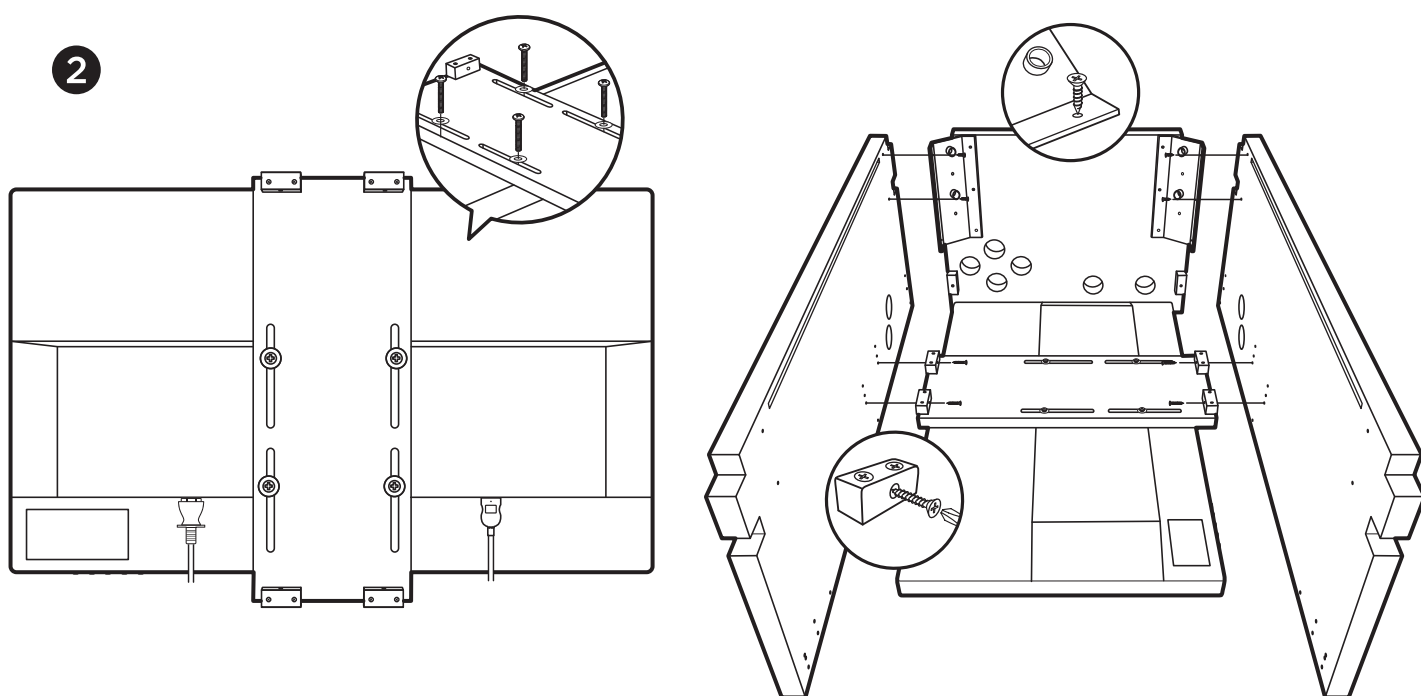
SHARPIN DIGITAL PINBALL

www.digital-pinball.com

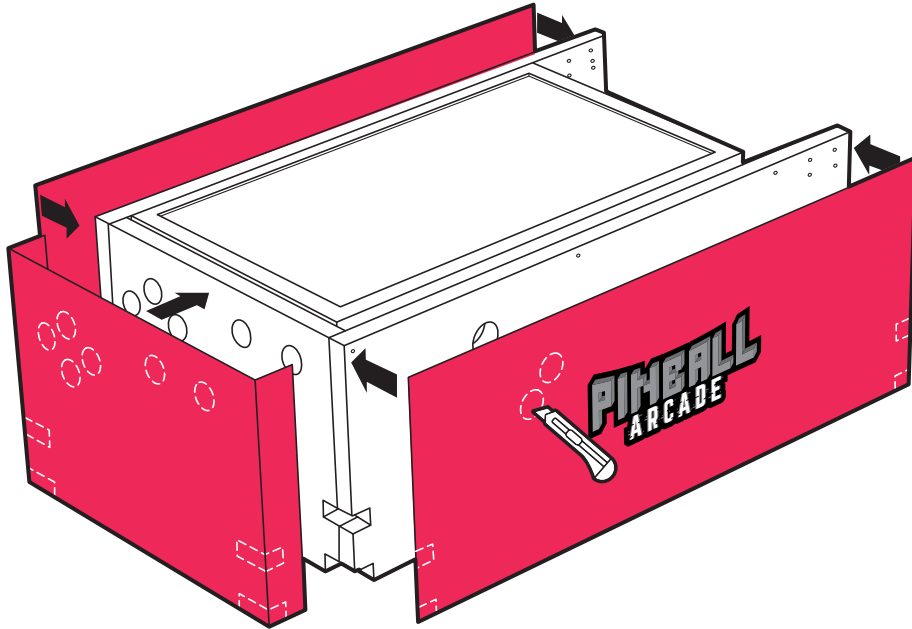
1



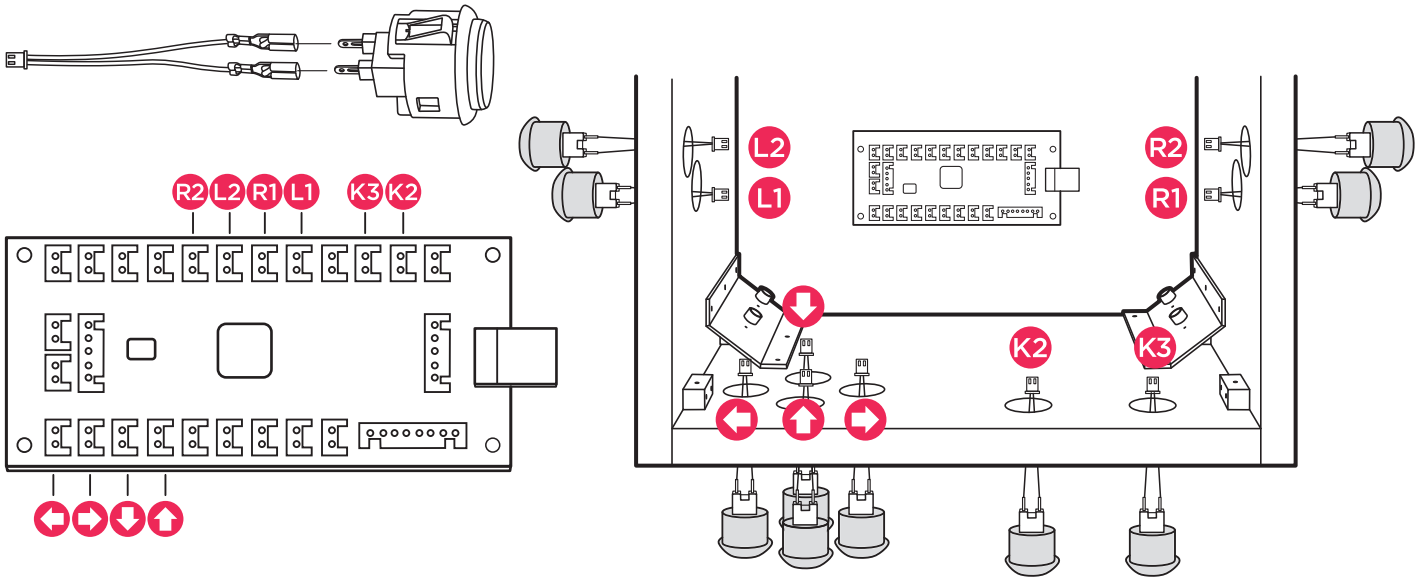
2



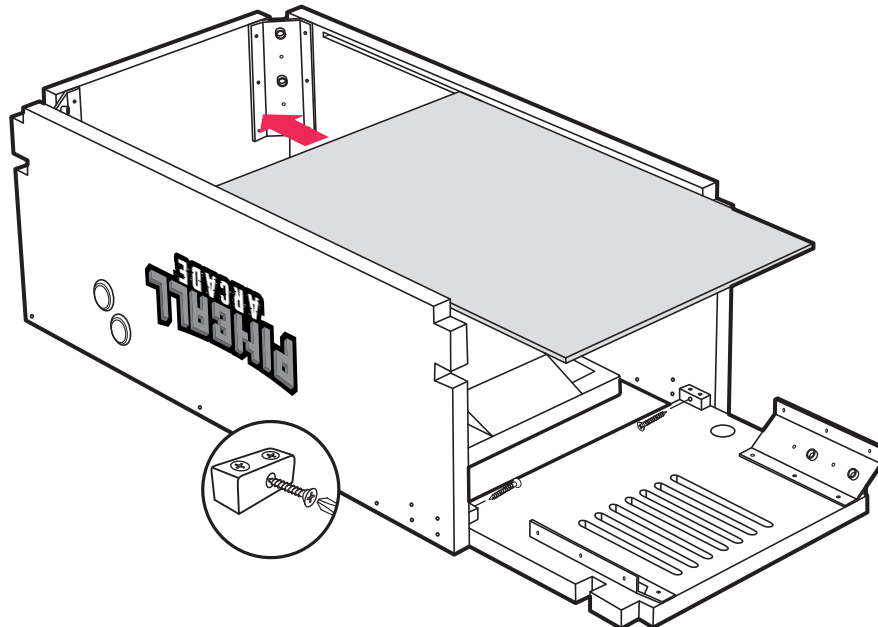
3



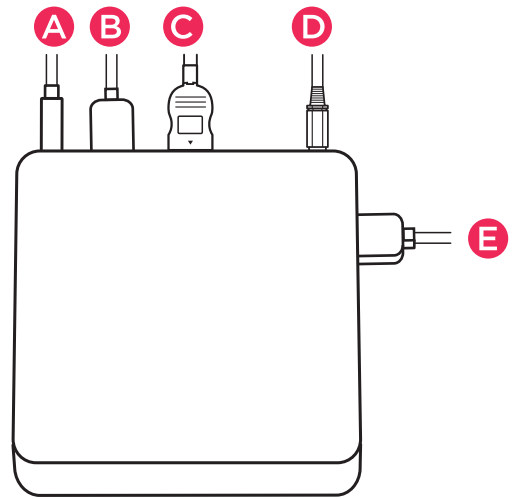
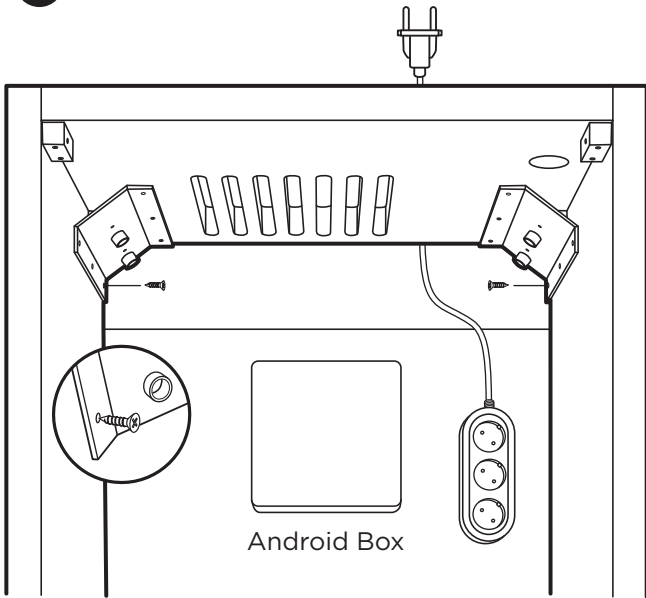
4



5

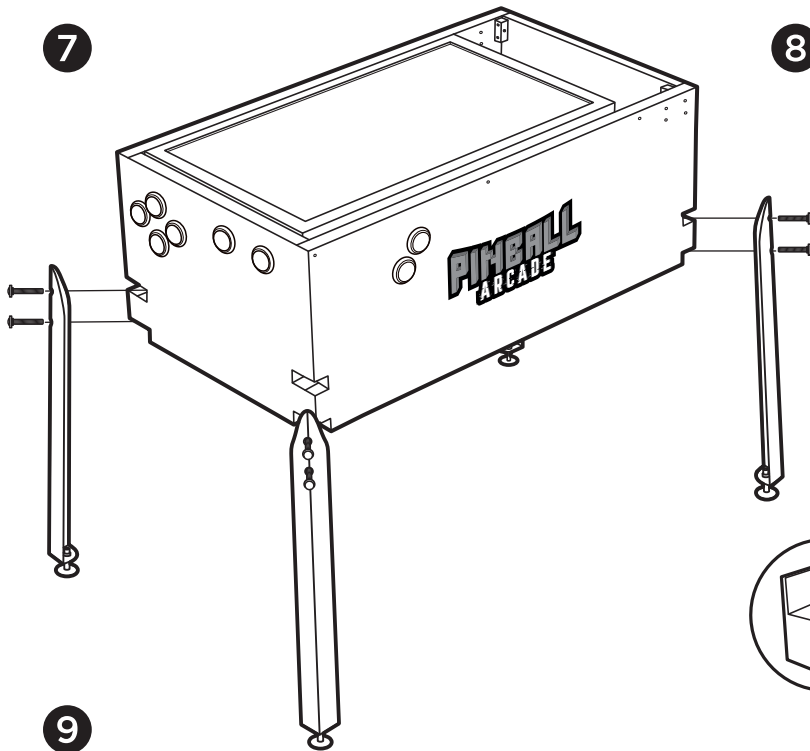


6

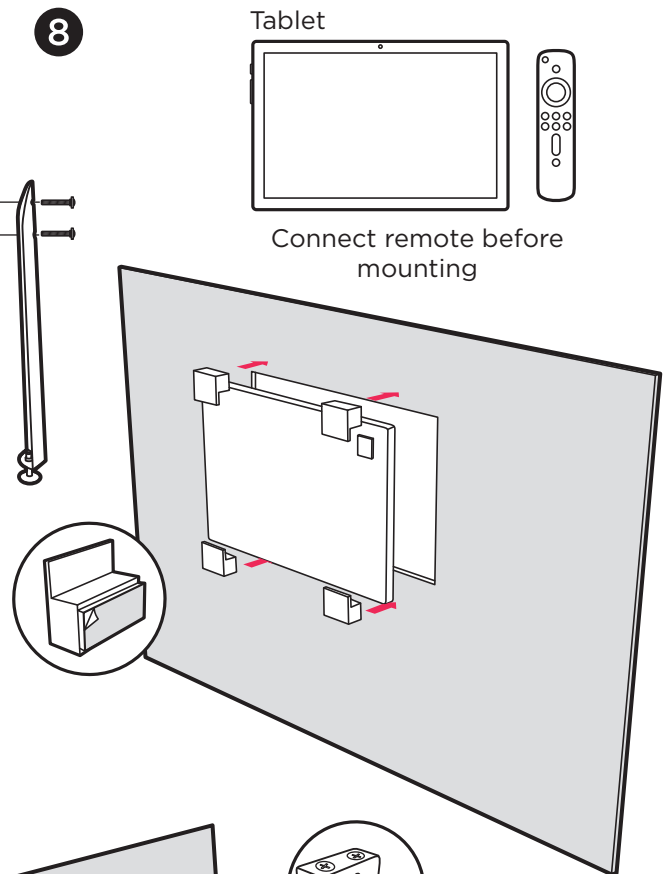


- A. Power
- B. Button Controller
- C. Screen
- D. Speaker
- E. Speaker Power

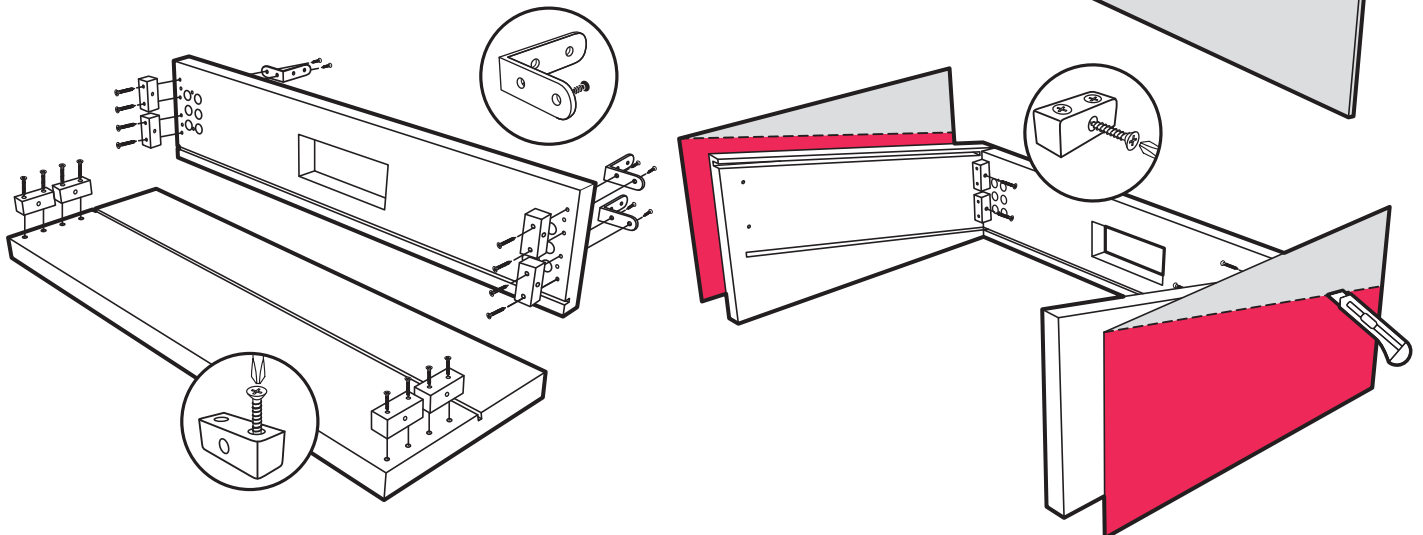
7



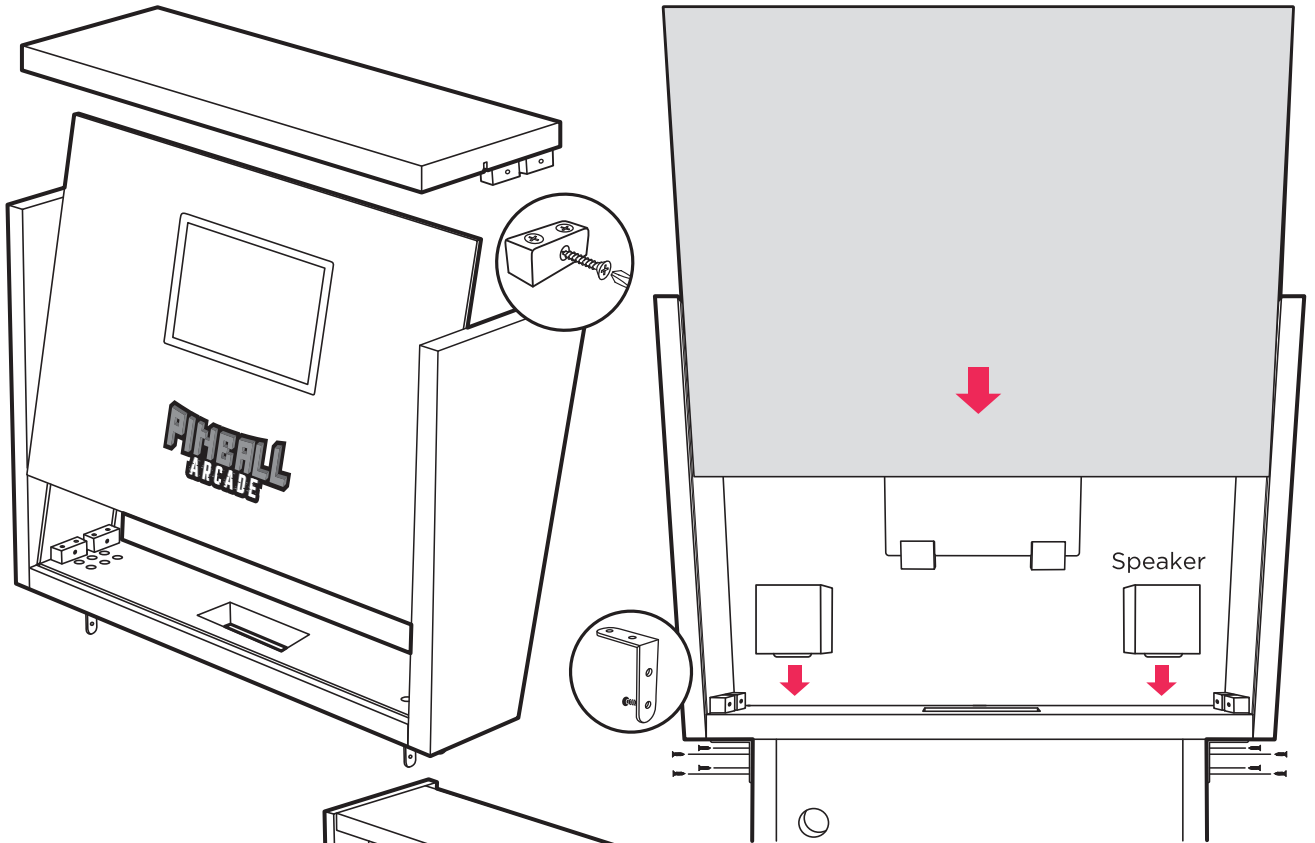
8




9



10



11

 Turn on the TV before closing the machine

